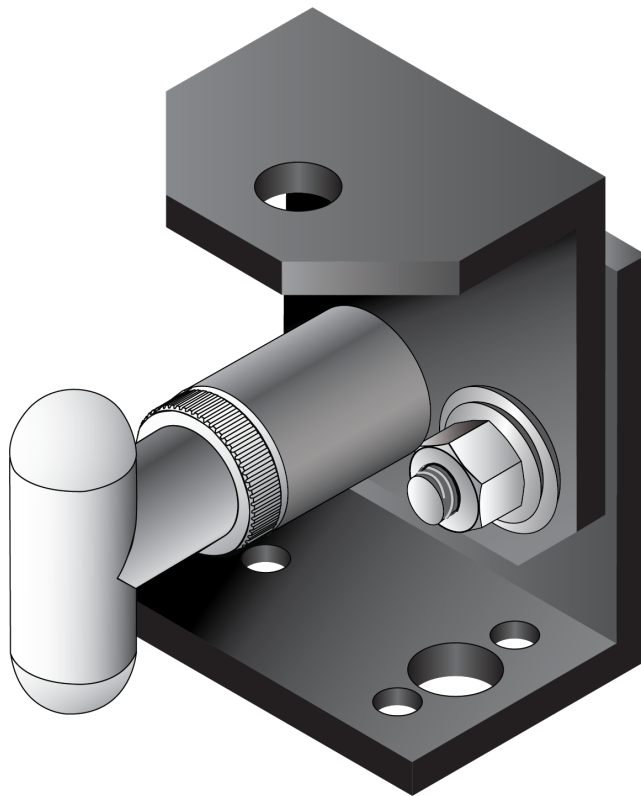


VIAMOUNTF Steel "L" Mounting Bracket for Warning Whips

Product Images



Short Description

- Steel quick release fold down mounting bracket, black powder coated with stainless steel hardware (mounting hardware NOT included).
- Works for all ALL-PURPOSE® and SUPER WHIPS® models.

Description

Steel quick release fold down mounting bracket, black powder coated with stainless steel hardware (mounting hardware NOT included). Works for all ALL-PURPOSE® and SUPER WHIPS® models.

Specifications

Model No	VIAMOUNTF
UPC	812542026024
Quantity Included	1
Whip Length	5
Whip Width	2.5
Whip Height	4