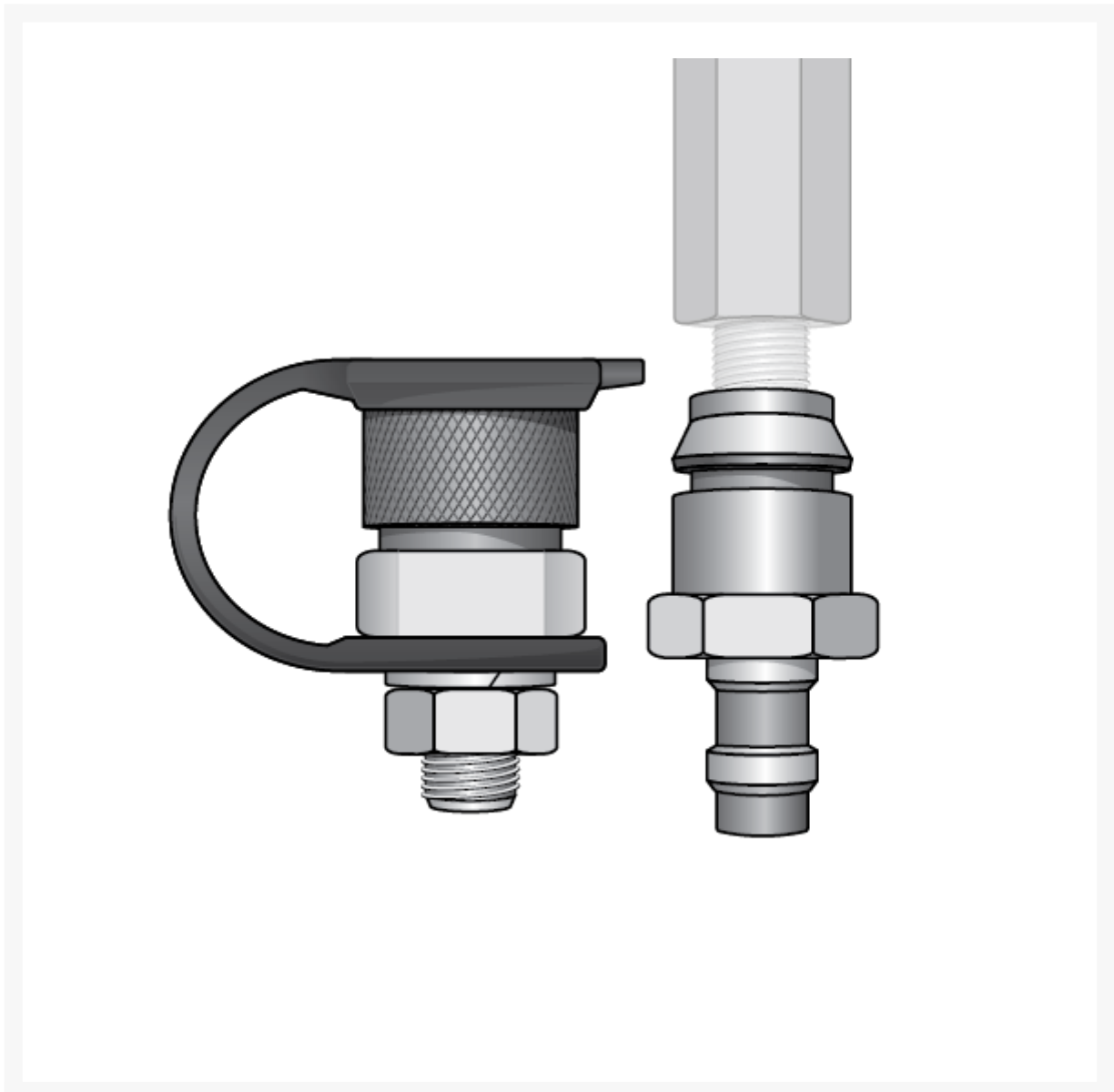


# Quick Disconnect Base Mount Kit (Powered)

## Product Images



## Short Description

- Quick Disconnect Base Mount Kit with Female/Male Components and Debris Cap

- Use to convert a Threaded Hex Base Mount into a Male Quick Disconnect

## Description

---

Quick Disconnect Base Mount Kit with Female/Male Components and Debris Cap (for Lighted Models). Used to convert a Threaded Hex Base Mount into a Male Quick Disconnect.

## Specifications

---

Model No	FSQD-KIT
UPC	812958007914
Quantity Included	1
Whip Length	4
Whip Width	1
Whip Height	3